



WASHINGTON ALLOY CO.



Our New

HYPER-VIEW Auto-Darkening Welding Helmet

Featuring

TRUE COLOR



Welding Vision Technology

Low Amp T.I.G.
response down to
3 amps!



Pt No. WA H800D-TC XL

3

Year ADF Warranty!

An Impressive
100mm x 83.4mm
Viewing Area!!
(3.93" x 3.28")
Outer cover plate is
standard 4.5" x 5.25"

- * Adjustable shade **5-13** for FCAW M.I.G., T.I.G. SMAW & Oxy-fuel.
- * Stand by Sh. 4 True-color.
- * Grinding mode.
- * Delay and Sensitivity adjustment.
- * Three Setting programable memory.
- * ANSI compliant. CE, ANSI, CSA



- * Four Light sensors for reliable UV light detection.
- * 14 cell solar array to keep batteries fully charged and functional.
- * Solar array will operate the ADF should battery failure occur.
- * Reflective UV/IR protection full DIN 15 at all times.

Fully adjustable internal, digital controls.
.08 ms Switch time - Low Battery & Grind Mode indicators.
4 arc sensors for positive light pick-up.

Uses CR2450
Batteries
(replaceable)

East Coast:
7010-G Reames Rd
Charlotte, NC 28216
(888) 522-8296 TF
(704) 598-6673 F

Gulf Coast:
4755 Alpine Dr. #100A
Stafford, TX 77477
(877) 711-9274 TF
(281) 313-6332 F

West Coast:
8535 Utica Ave.
Rancho Cucamonga, CA 91730
(800) 830-9033 TF
(909) 291-4586 F

Northwest:
20017 NE San Rafael St
Portland, OR 97230
(800) 830-9033 TF
(909) 291-4586 F

Northeast:
835 High St.
Billerica, MA 01862
(888) 522-8296 TF
(704) 598-6673 F

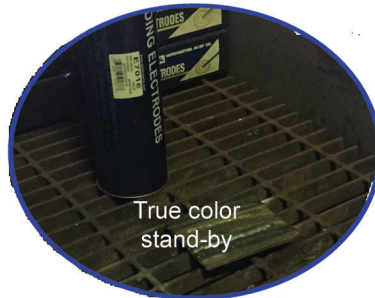
www.weldingwire.com

Features:

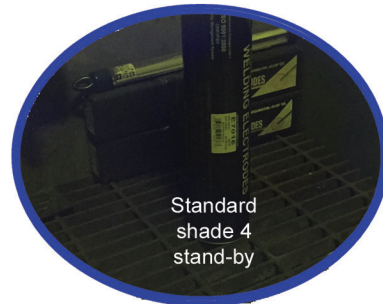
- * Ergonomic design for comfort and functionality.
- * Made of high strength, light weight, heat resistant nylon to reduce neck strain while providing ample head and face protection.
- * Roomy interior allows wearing glasses and dust masks.
- * State-of-the-Art LCD cartridge for quick switch time and permanent UV/IR protection up to DIN 15.
- * Solar power array with battery back-up along with 4 arc sensors designed for positive, uninterrupted function of the LCD optical filter.
- * Operating temperature: 14°F - 149°F (-10°C - -65°C)
- * Helmet and filter meet CE and ANSI standards



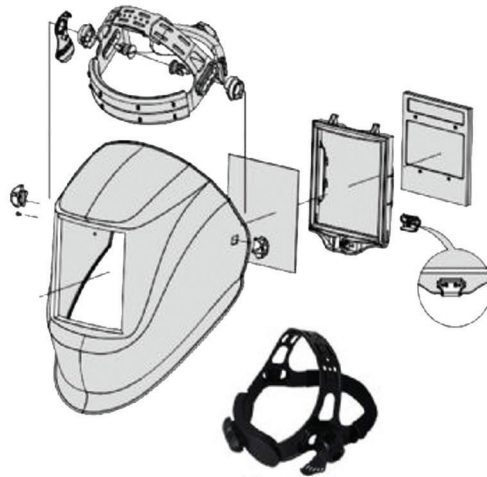
Unfiltered view



True color stand-by



Standard shade 4 stand-by



PC Outer Cover Lens

Pt. No. WA H744/855-OL/5
(5-pack)
Dimensions 4.5" x 5.25"
114 x 133 x 1mm



PC Inner Cover Lens

Pt. No. WA H800D-TC XL-IL/5
(5 pack)
Dimensions 3.94" x 3.28"
105.5 x 89.8 x 1mm

Headgear

Pt. No. WA H700-HG
WA H700-MK Nut Kit
(2-nuts, 2-studs, adj. tab)



WASHINGTON ALLOY CO.

www.weldingwire.com

Packaging:

Helmets - 1 ea. or case of 4
Cover lenses - 5 pk / ea.
Head gear - ea.
Nut Kit - ea.